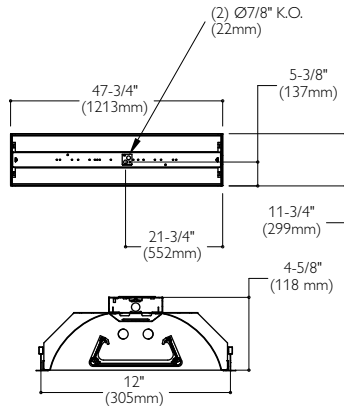
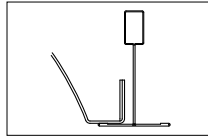


Alter Concept **GS Lens**

1' x 4' Direct/Indirect Recessed Fluorescent



Ceiling compatibility for G type luminaires



Suited to standard exposed 15/16" T-grid ceilings



Ordering information

QCE	1	G	GS	OP					
Family	Luminaire Width	Ceiling Type	Lamp Shield	Lamp Shield Details	Lamp Quantity	Lamp	Voltage	Ballast	Options
QCE = Alter Concept	1 = 1'	G = Grid (lay-in T bar)	GS = Frosted acrylic side lenses, micro-prismatic center lens	OP = One piece (no center slot) lamp shield	1 = 1 Lamp 2 = 2 Lamps	32 = T8 32W* 28 = T5 28W 54 = T5HO 54W	UNV = UNV 347 = 347V	PG = Elect. PR,S,T5/T5HO, 1 or 2 LPB, <10% THD HI = Elect. IS,T8, 1 or 2 LPB, <10% THD	

* Only 1-32WT8 available. Consult factory for 2-32WT8.

Features

- Up to 81.5% efficient
- Housing 4-5/8" deep
- Post-painted with 95% reflective Alter soft white paint
- One piece body for easy installation
- Elegant lens design with frost side lenses and microprism bottom lens. Optical film on inside of lens diffuses lamp image providing a balance between performance and visual comfort.
- Swing down lens assembly for easy and tool less access to lamp compartment facilitating relamping and maintenance
- Fully recessed luminaire and lamp compartment
- Fits standard 15/16" T-Grid, slim T-Grid or drywall ceilings

Specifications

Materials: 20 gauge steel housing and reflector assembly.

Finish: Baked white acrylic matte high reflectance paint finish.

Lens: Aluminum frame with frosted acrylic side lenses and micro-prism bottom lens.

Electrical: Thermally protected class "P" ballast. If K.O.s are within 3" of ballast, use wire suitable for at least 90°C. Suitable for damp location.

Labels: cCSAus

[Options/Accessories](#)

Electrical wiring options: Consult factory

Drywall Kit: Order Catalogue Number: **FK91X4**.

Hold Down Clips: Order Catalogue Number: **QVS-HD**.

Emergency Lighting System: Consult factory.

Job Information

Type:

Job Name:

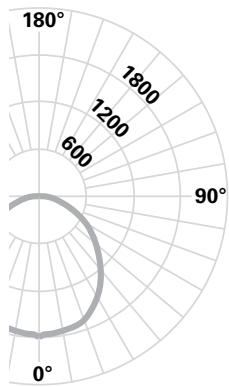
Cat. No.:

Notes:

Performance

CANDLEPOWER CURVE 228

CANDLEPOWER



ZONE DEG	ALONG	22.5	45	67.5	ACROSS
0	1782	1782	1782	1782	1782
5	1769	1781	1792	1787	1758
10	1746	1759	1776	1777	1750
15	1705	1722	1742	1742	1717
20	1647	1667	1690	1692	1668
25	1574	1596	1624	1617	1580
30	1484	1511	1536	1506	1470
35	1378	1407	1413	1383	1347
40	1258	1288	1283	1245	1208
45	1124	1156	1137	1092	1052
50	981	1008	983	933	918
55	835	853	820	810	798
60	688	701	680	665	641
65	548	553	550	505	478
70	416	409	395	348	324
75	292	288	254	217	207
80	178	166	141	133	128
85	75	67	66	59	55
90	0	0	0	0	0

REPORT NO: C11198
 CAT. NO: QCE1GGSOP228UNVPG
 2 28W T5 Fluorescent Lamps at 2900 lumens.
 Efficiency: 81.5%
 Candela at Nadir: 1782cd

COEFFICIENTS OF UTILIZATION

ZONAL CAVITY METHOD * EFFECTIVE FLOOR CAVITY REFLECTANCE = .20

Room Cavity Ratio	Wall Reflectance										
	80				70				50		
	70	50	30	10	70	50	30	10	50	30	10
0	.97	.97	.97	.97	.95	.95	.95	.95	.91	.91	.91
1	.90	.86	.83	.80	.87	.84	.81	.79	.81	.79	.76
2	.82	.76	.71	.67	.80	.75	.70	.66	.72	.68	.65
3	.76	.68	.62	.57	.74	.66	.61	.56	.64	.59	.55
4	.70	.61	.54	.49	.68	.59	.53	.48	.57	.52	.48
5	.64	.54	.47	.42	.62	.53	.46	.41	.51	.45	.41
6	.59	.48	.41	.36	.57	.47	.41	.36	.46	.40	.36
7	.54	.43	.37	.32	.53	.43	.36	.31	.42	.35	.31
8	.50	.39	.32	.28	.49	.38	.32	.27	.37	.31	.27
9	.46	.35	.28	.24	.45	.35	.28	.24	.34	.28	.24
10	.43	.32	.25	.21	.42	.31	.25	.21	.31	.25	.21

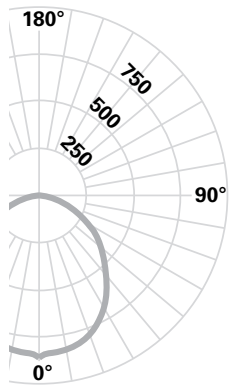
DETERMINED IN ACCORDANCE WITH CURRENT IES PUBLISHED PROCEDURES
 LUMINAIRE INPUT WATTS = 61.0

DISTRIBUTION

ZONE	LUMENS	% LAMP	%LUMINAIRE
0-30	1396	24.07	29.54
0-40	2264	39.03	47.90
0-60	3860	66.55	81.68
0-90	4726	81.48	100.00
40-90	2462	42.45	52.10
60-90	866	14.93	18.32
90-180	0	0.00	0.00
0-180	4726	81.48	100.00

CANDLEPOWER CURVE 132

CANDLEPOWER



ZONE DEG	ALONG	22.5	45	67.5	ACROSS
0	855	855	855	855	855
5	853	859	863	854	833
10	842	849	855	847	827
15	822	831	837	828	809
20	796	804	810	800	782
25	761	769	775	760	738
30	718	727	728	705	684
35	668	676	668	643	622
40	611	617	602	573	553
45	548	551	529	498	482
50	481	478	452	432	425
55	411	403	377	376	371
60	341	330	315	316	301
65	273	257	258	233	217
70	209	189	185	157	146
75	149	135	116	100	95
80	92	79	65	60	58
85	42	32	30	25	24
90	0	0	0	0	0

REPORT NO: C11198
 CAT. NO: QCE1GGSOP132UNVHI
 1 32W T8 Fluorescent Lamps at 2950 lumens.
 Efficiency: 75.6%
 Candela at Nadir: 855cd

COEFFICIENTS OF UTILIZATION

ZONAL CAVITY METHOD * EFFECTIVE FLOOR CAVITY REFLECTANCE = .20

Room Cavity Ratio	Wall Reflectance										
	80				70				50		
	70	50	30	10	70	50	30	10	50	30	10
0	.90	.90	.90	.90	.88	.88	.88	.88	.84	.84	.84
1	.83	.80	.77	.74	.81	.78	.76	.73	.75	.73	.71
2	.76	.71	.66	.62	.75	.69	.65	.61	.67	.63	.60
3	.70	.63	.57	.53	.68	.62	.57	.52	.60	.55	.52
4	.65	.56	.50	.45	.63	.55	.50	.45	.53	.48	.45
5	.59	.50	.44	.39	.58	.49	.43	.39	.48	.42	.38
6	.55	.45	.38	.34	.53	.44	.38	.34	.43	.37	.33
7	.50	.40	.34	.30	.49	.40	.34	.29	.39	.33	.29
8	.46	.36	.30	.26	.45	.36	.30	.26	.35	.29	.25
9	.43	.33	.27	.22	.42	.32	.26	.22	.31	.26	.22
10	.40	.30	.24	.20	.39	.29	.24	.20	.29	.23	.20

DETERMINED IN ACCORDANCE WITH CURRENT IES PUBLISHED PROCEDURES
 LUMINAIRE INPUT WATTS = 38.0

DISTRIBUTION

ZONE	LUMENS	% LAMP	%LUMINAIRE
0-30	666	22.59	29.86
0-40	1077	36.49	48.25
0-60	1825	61.87	81.81
0-90	2231	75.63	100.00
40-90	1155	39.14	51.75
60-90	406	13.76	18.19
90-180	0	0.00	0.00
0-180	2231	75.63	100.00



Canlyte
 3015 Louis-Amos, Lachine, Québec H8T 1C4
 e: canlyte-info@philips.com
 t: (514) 636-0670
 w: www.canlyte.com
 GS 1x4 February 2, 2012.
 Specifications are subject to change without notice.
 © Koninklijke Philips Electronics N.V., 2011. All rights reserved.

Job Information **Type:**